

# Data Sheet for Piston ( Ram ) type Flush bottom Valves



Technology in Polymer Valves

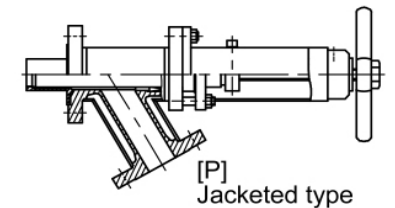
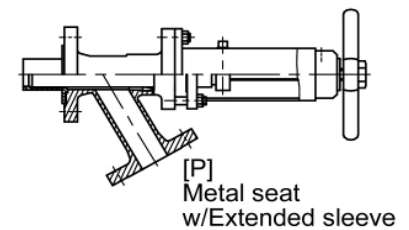
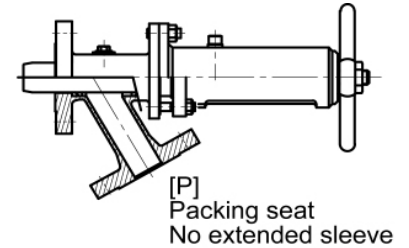
## Client Information

Company			
Attention			
e-mail			
Phone		Fax	
Address			

Please check at your selection or describe if there are no suitable selection.

### 1. Valve Type

Item	Selection	Check or Describe	
Style	Packing seat		
	Metal seat		
	with Extended sleeve		
	Crust Breaking type		
	Another special type		
Jacket	Jacketed		
	Non-jacketed		
Seat	Metal seat		
	Seatless		
Flushing valve	Yes or No		
Use as Control vale	Yes or No		
Outlet Nozzle Angle	60° (standard), 45° etc		



### 2. Rating & Size

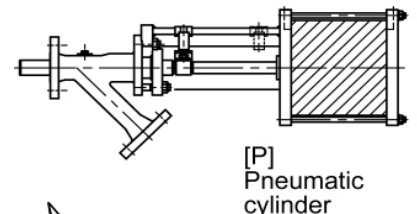
Item	Main valve	Flushing valve	
Rating			
Size(Core/Jacket)			
Connection	Select	Check or Describe	
	Flange		
	BW		
	Grayloc(R)		
	Others		

### 3. Design Condition

Item	Core	Jacket
Design pressure		
Design temperature		

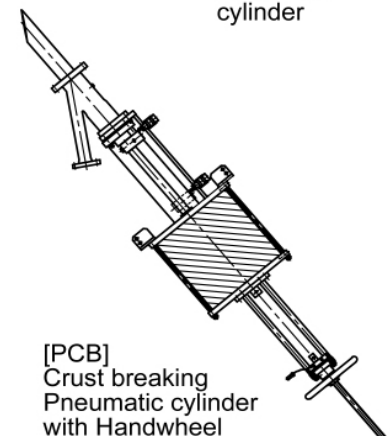
### 4. Materials

Item	Selection	Check or Describe	
Valve Body	304 Stainless steel		
	316 Stainless steel		
	Carbon steel		
	Others		
Coating	Yes or No		



### 5. Operator

Selection	Check or Describe	
Manual		
Pneumatic cylinder		
Pneumatic motor		
Electrical motor		
Diaphragm		
Others		



### 6. Utilities

Item	Describe
Supply air pressure	
Voltage & Hz	

### 7. Options, Spare parts, Other limitation etc.

--