

Data Sheet for Disc type Flush bottom Valves



Technology in Polymer Valves

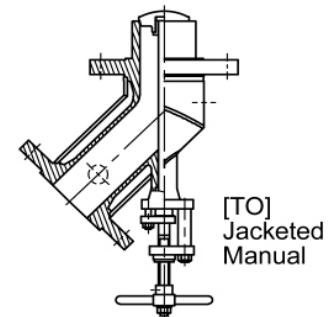
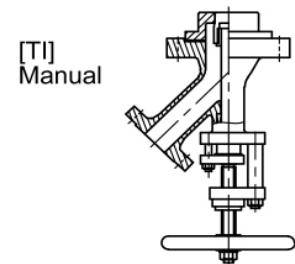
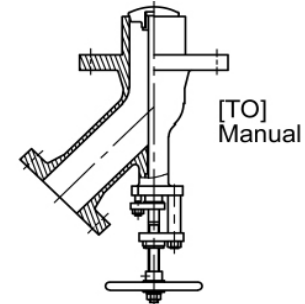
Client Information

Company			
Attention			
e-mail			
Phone		Fax	
Address			

Please check at your selection or describe if there are no suitable selection.

1. Valve Type

Item	Selection	Check or Describe	
Style	TO : Disc rising to open		
	TI : Disc lowering to open		
	Another special type		
Jacket	Jacketed		
	Non-jacketed		
Seat	Metal seat		
	Teflon disc seat		
Flushing valve	With or Without		
Use as Control vale	Yes or No		
Outlet Nozzle Angle	45° (standard), 60° etc		



2. Rating & Size

Item	Main valve	Flushing valve	
Rating			
Size(Core/Jacket)			
Connection	Select	Check or Describe	
	Flange		
	BW		
	Grayloc(R)		
	Others		

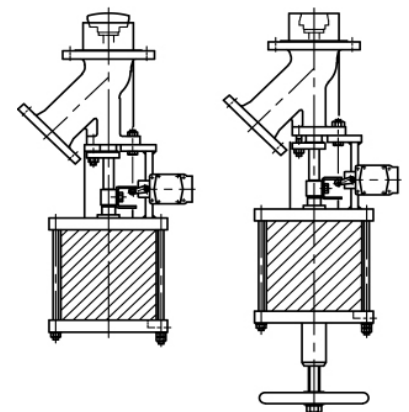
3. Design Condition

Item	Core	Jacket
Design pressure		
Design temperature		

4. Materials

Item	Selection	Check or Describe	
Valve Body	304 Stainless steel		
	316 Stainless steel		
	Carbon steel		
	Others		
Coating	Yes or No		

Pneumatic cylinder operate



with Handweel

5. Operator

Selection	Check or Describe	
Manual		
Pneumatic cylinder		
Pneumatic motor		
Electrical motor		
Diaphragm		
Others		

6. Utilities

Item	Describe
Supply air pressure	
Voltage & Hz	

7. Options, Spare parts, Other limitation etc.

Thermometer etc.
