

Data Sheet for Sampling / Drain Valves



Technology in Polymer Valves

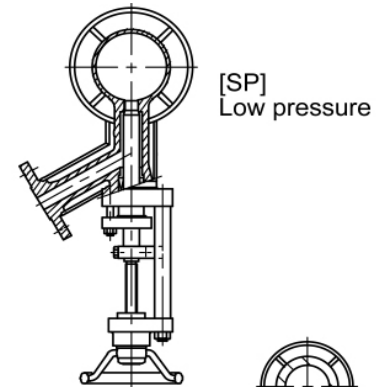
Client Information

Company			
Attention			
e-mail			
Phone		Fax	
Address			

Please check at your selection or describe if there are no suitable selection.

1. Valve Type

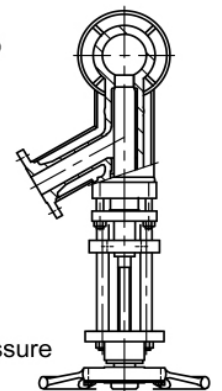
Item	Selection	Check or Describe	
Style	SP : Sampling valve vertical		
	SPD : Drain valve tangential		
	Another special type		
Jacket	Jacketed		
	Non-jacketed		
Outlet Nozzle Angle	60° (standard), 45° etc		



[SP]
Low pressure

2. Rating & Size

Item	Main Pipe	Sub valve(Outlet)	
Rating			
Size(Core/Jacket)			
Connection	Select	Check or Describe	
	Flange		
	BW		
	Grayloc(R)		
	Others		



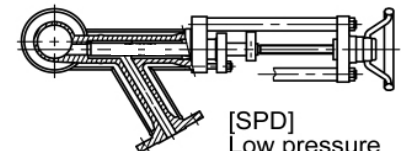
[SP]
High pressure

3. Design Condition

Item	Core	Jacket
Design pressure		
Design temperature		

4. Materials

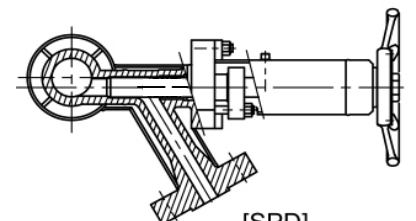
Item	Selection	Check or Describe	
Valve Body	304 Stainless steel		
	316 Stainless steel		
	Carbon steel		
	Others		
Coating	Yes or No		



[SPD]
Low pressure

5. Operator

Selection	Check or Describe	
Manual		
Pneumatic cylinder		
Pneumatic motor		
Electrical motor		
Diaphragm		
Others		



[SPD]
High pressure

6. Utilities

Item	Describe
Supply air pressure	
Voltage & Hz	

7. Options, Spare parts, Other limitation etc.

--