

Data Sheet for 5Way, 6Way Valves



Technology in Polymer Valves

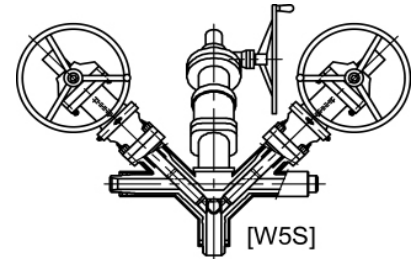
Client Information

Company			
Attention			
e-mail			
Phone		Fax	
Address			

Please check at your selection or describe if there are no suitable selection.

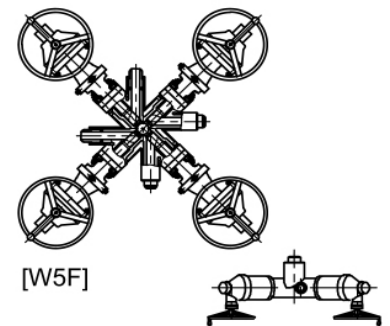
1. Valve Type

Item	Selection	Check or Describe	
Style	W5S : 5Way Solid		
	W5F : 5Way Flat		
	W5Y : 5Way Y-type		
	W6Y : 6Way Y-type		
	Another special type		
Jacket	Jacketed		
	Non-jacketed		
Disc	Disc&Stem		
	Ram disc flat		
	Ram disc round		
Flushing valve	With or Without		
Use as Control vane	Yes or No		



2. Rating & Size

Item	Main valve	Flushing valve	
Rating			
Size(Core/Jacket)			
Connection	Select	Check or Describe	
	Flange		
	BW		
	Grayloc(R)		
	Others		

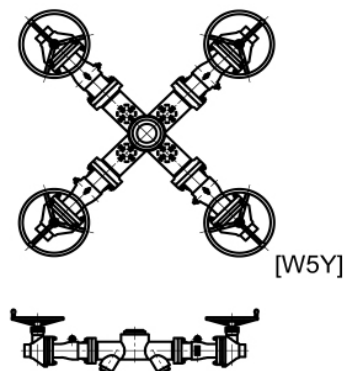


3. Design Condition

Item	Core	Jacket
Design pressure		
Design temperature		

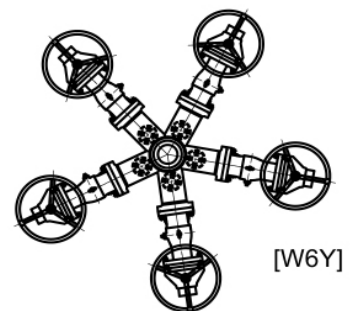
4. Materials

Item	Selection	Check or Describe	
Valve Body	304 Stainless steel		
	316 Stainless steel		
	Carbon steel		
	Others		
Coating	Yes or No		



5. Operator

Selection	Check or Describe	
Manual		
Pneumatic cylinder		
Pneumatic motor		
Electrical motor		
Diaphragm		
Others		



6. Utilities

Item	Describe
Supply air pressure	
Voltage & Hz	

7. Options, Spare parts, Other limitation etc.

--